



Name of Vessel

Lily
Port of Registry / Flag
 Singapore/Venezuelan
Year of Delivery
 2012

Type
 RAstar 3200 Class Pusher Tug

IMO # / MMSI
Leo: 9652143 / 566671000
Lily: 9652155 / 566672000

Classification
 ABS +Hull +ABCU, FiFi 1, ESCORT, Oil
 Recovery Capable

Length over all (LOA)
 32.0m

Breadth / Depth / Draft (Max/Design)
 12.80m / 5.27m / 5.80m / 4.19m

GRT / NRT
 497T / 149T

Clear Deck Space
 +/-50m²

Speed
 13.2 knots (12knots economical)

Bollard Pull (Certified)
 66.4 metric tonnes Ahead
 61.2 metric tonnes Astern

Endurance
 21 days

Accommodation

Fully heated & air conditioned for 10 men
 in four cabins.

Lifesaving
 To meet SOLAS requirements

Fire Fighting
 To meet SOLAS requirements

Fuel
 187m³

Fresh Water
 38m³

Black & Grey Water holding tanks
 8.8m³

Main Engines
 2 x Niigata 6L28HX diesel engines
 producing 1838kW (@ 750 rpm.

Generators
 2 x 130kW Volvo diesel generators

Propulsion/Steering
 2 z Z-Peller Niigata ZP-41A

Fendering
 Solid rubber pusher bow and tyre
 fendering system to facilitate ship
 handling. Solid rubbing band and tyre
 protection on both vessel parallel sides.

Forward Towing Winch
 81 tonne @ 13m/min first layer (IBERCISA)
 27.2 tonne @ 40m/min 1st Layer

Brake Holding

200 tonne
Aft Towing Winch
 54.3 tonne@ 9.1m/min f1st layer (IBERCISA)
 14.7 tonne @33m/min 1st Layer

Brake Holding
 178 tonne

Deck Machinery
 Smith Berger Tow Pins and Roller 12T214-
 1NB
 Deck Crane 2.17 tonne @8m Outreach

Cutting Equipment
 Two bottles oxygen and one bottle
 Propane complete with cutting torch.

Navigation Equipment

Radar 1: fitted
 Radar 2: fitted
 Sat Compass: fitted
 Echo sounder: fitted
 GPS Navigator: fitted
 Mag Compass: fitted
 AIS: fitted

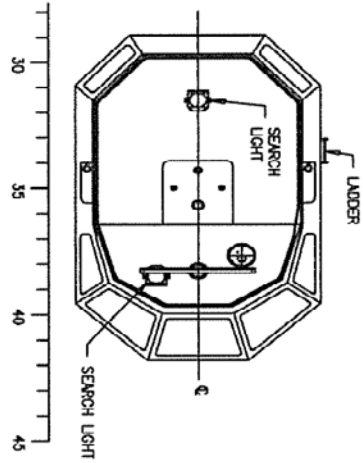
Communication Equipment

GMDSS: A3 , fitted
 Navtex: fitted
 Emergency VHF: fitted
 Hand held VHF: fitted

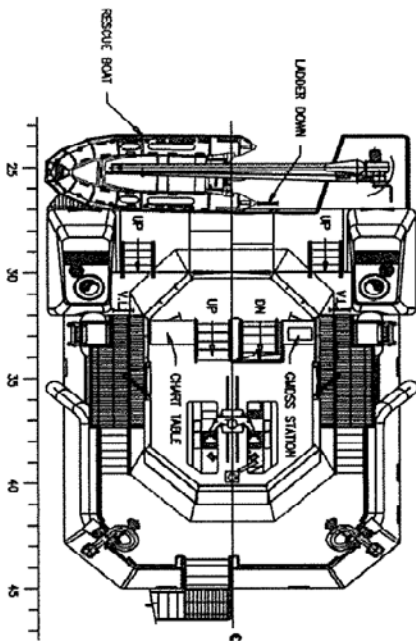
Other Navigation Equipment

Autopilot: fitted. Fleetbroadband 150

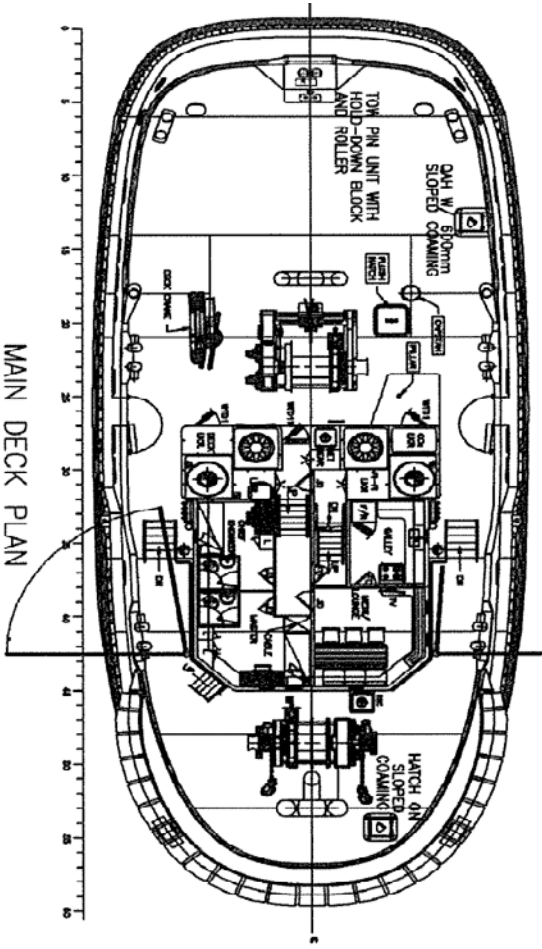
RAsTar 3200 Class ESCORT TUG



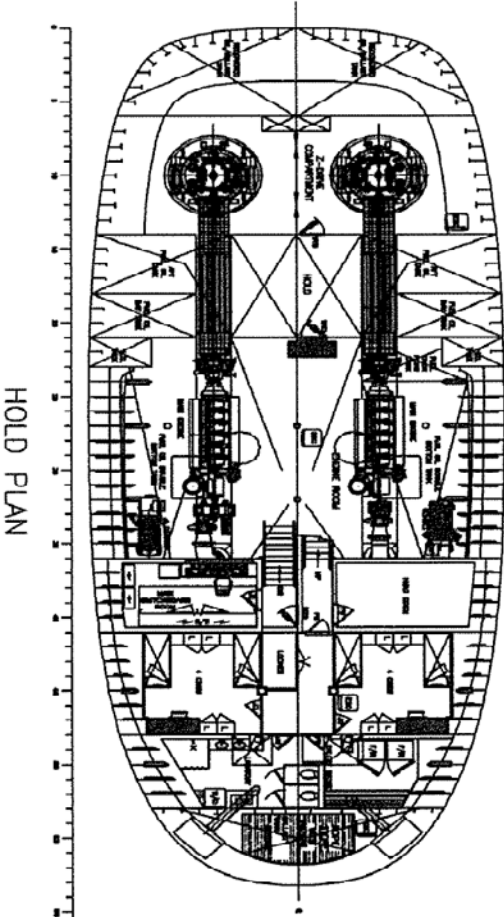
WHEELHOUSE TOP PLAN



BRIDGE DECK PLAN



MAIN DECK PLAN



HOLD PLAN